

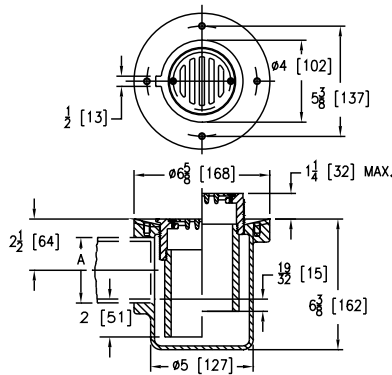
Z355 PRISON CELL FLOOR DRAIN



ENGINEERING SPECIFICATION

Zurn ZN355 prison cell floor drain features Dura-Coated cast iron body with side outlet, integral trap, anchor flange, and adjustable nickel bronze slotted strainer secured with spanner type vandal-proof screws.

A Pipe Size inches [mm]	Grate Open Area sq in [cm ²]	Approximate Weight lb [kg]
2 [51]	3-1/2 [23]	13 [6]
3 [76]		15 [7]



PREFIXES	DESCRIPTION	A PIPE SIZE	LIST PRICE
ZN355*	D.C.C.I. Body with Polished Nickel Bronze Top	2"	1,006.00
		3"	1,116.00
OUTLETS (SPECIFY PIPE SIZE IN INCHES AND TYPE OF OUTLET)			
OUTLET TYPE	PIPE SIZE/OUTLET TYPE	ADD	
IP	Threaded	2IP, 3IP	N/C
SUFFIXES			ADD
-G	Galvanized Cast Iron		185.00
BEST SELLER			LIST PRICE
ZN355-3IP			1,116.00

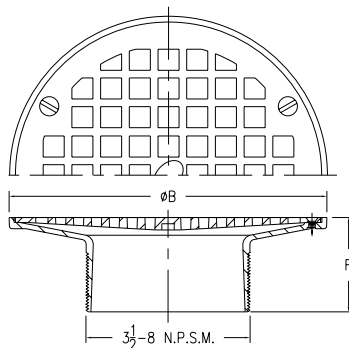
Z400 "TYPE B" ROUND STRAINER WITH HEEL-PROOF SQUARE OPENINGS



ENGINEERING SPECIFICATION

Zurn Z()400B "TYPE B" round adjustable light-duty strainer top includes square heel-proof openings and secured grate. (Specify ZB or ZN finish.)

Strainer Designation	Dimensions in inches [mm]		Open Area sq in [cm ²]	Approximate Weight lb [kg]
	Size B	Height F		
-5B	5 [127]	2 [51]	8 [52]	2 [1]
-6B	6 [152]	2-1/4 [57]	9 [58]	3 [1]
-7B	7 [178]	2-5/8 [67]	12 [77]	4 [2]
-8B	8 [203]		18 [116]	5 [2]
-10B	10 [254]		26 [168]	13 [6]



PREFIXES	DESCRIPTION	STRAINER DESIGNATION	LIST PRICE
ZN400*	Polished Nickel Bronze Top	-5B	292.00
		-6B	399.00
		-7B	489.00
		-8B	660.00
		-10B	972.00
ZB400	Polished Bronze Top	-5B	269.00
		-6B	343.00
		-7B	455.00
		-8B	615.00
		-10B	910.00
SUFFIXES			ADD
-CP	Chrome-Plated Bronze Top		26.00
⌚ -HD	Heavy-Duty Slotted Grate (ZN 5" & 6" only with 4" shank)		206.00
-OF	Oval Funnel (6", 7", 8", 10" Strainers Only) (See Z329-7)		-
⌚ -PC	Protective Cover		64.00
-SG	Solid Gasketed Cover (Will not function as a gas-tight cleanout cover.)		POA
-V	Backwater Valve (Not Available with -Y)		380.00
-VP	Vandal-Proof Secured Top		58.00
-Y	Sediment Bucket (Not Available with -V)		109.00
-4	4" Diameter Funnel (See Z328)		-
BEST SELLERS			LIST PRICE
ZB400-5B			269.00
ZB400-5B-CP			295.00
ZN400-5B			292.00
ZN400-5B-VP			350.00
ZB400-6B			343.00
ZN400-6B			399.00
ZN400-8B			660.00
ZN400-10B			972.00

*Regularly furnished unless otherwise specified.

Items designated as Best Sellers are most specified and are generally in stock for shipment.

⌚ This symbol denotes a product that is engineered to reduce installation and rework time.

For additional product information, please visit www.zurn.com

INTRO
 ROOF DRAINS
 FLOOR DRAINS
 T, P, BW VALVES
 INTERCEPTORS
 CARRIERS
 HYDRANTS
 CLEANOUTS
 W/HA
 SS DRAINS
 FAB SS DRAINS
 SANI-FLOOR
 TECH INFO